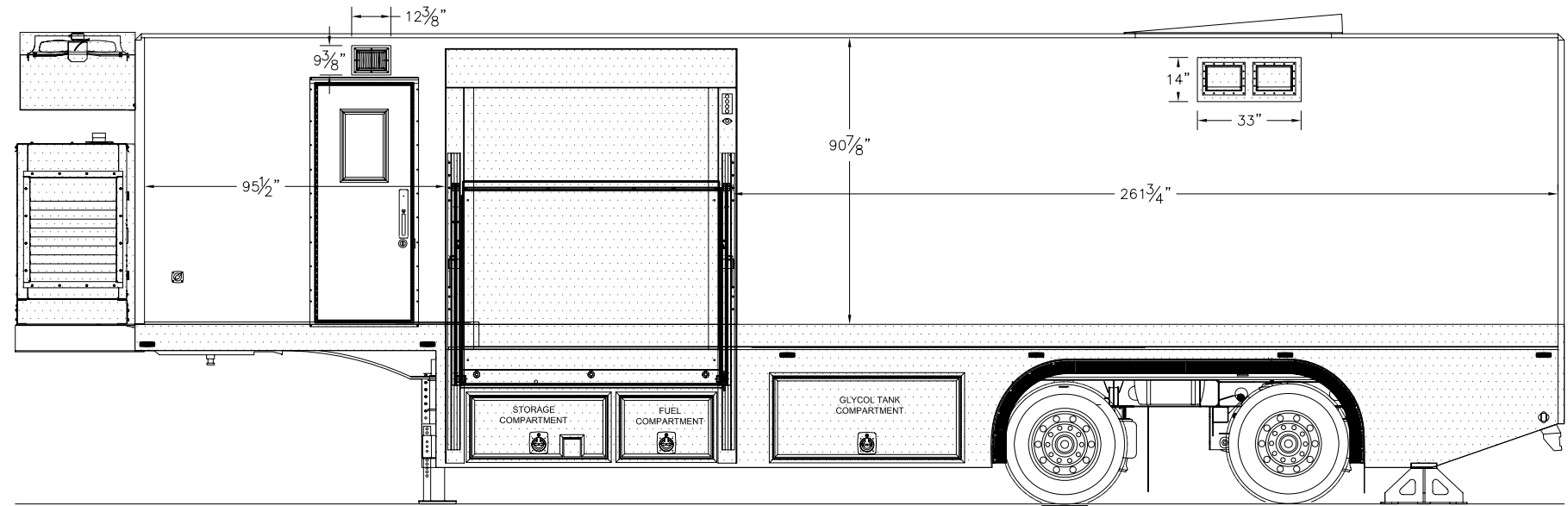
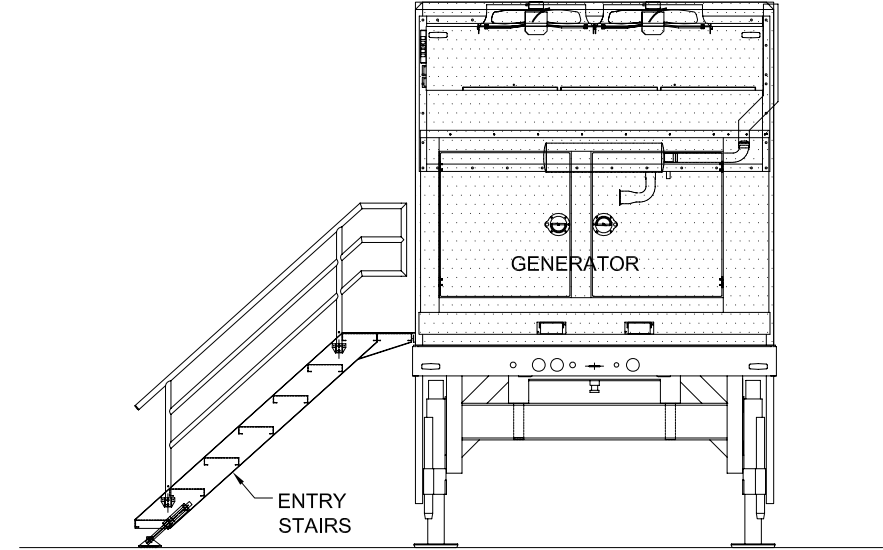


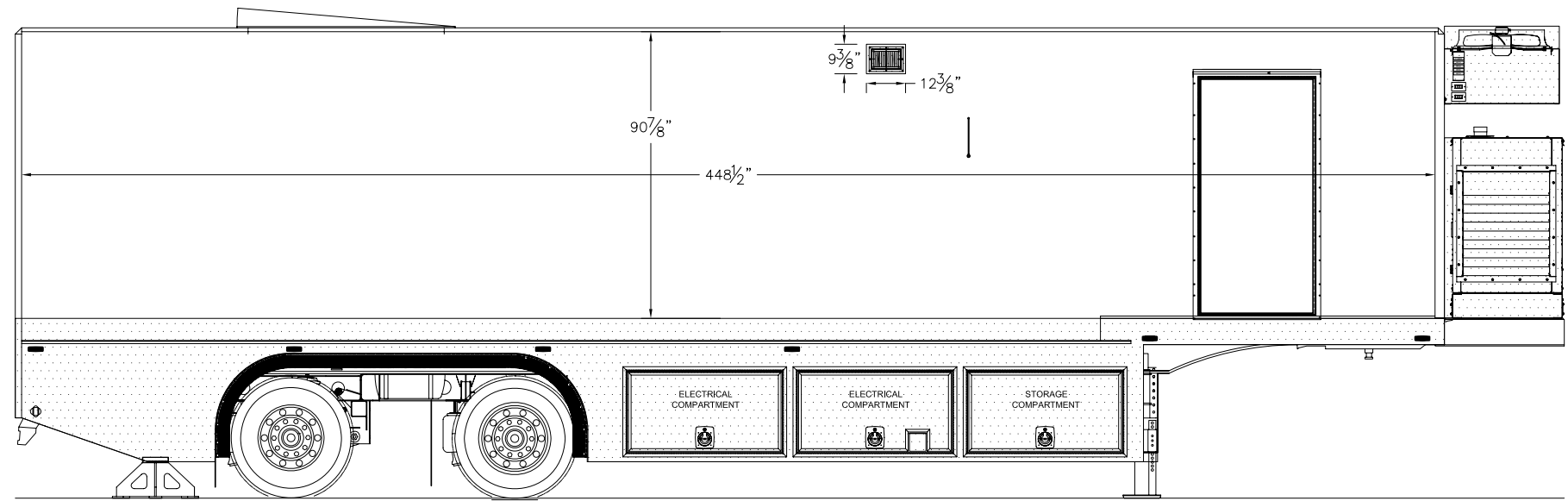
REVISIONS					DESCRIPTION
REV.	REV. DATE	CHK. BY	CHK. DATE	ENG.	
0					



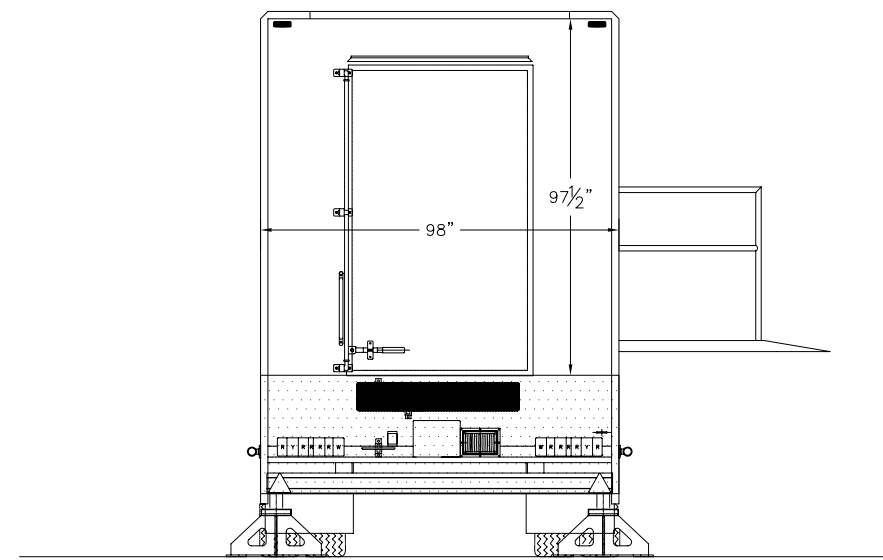
LEFT SIDE ELEVATION VIEW



FRONT WALL



RIGHT SIDE ELEVATION VIEW



REAR WALL



**NOTE: DOT REQUIRED SAFETY DECALS AND MEDICAL EQUIPMENT SAFETY DECALS MUST NOT BE COVERED BY GRAPHICS**

NO GRAPHICS AREA

CUSTOMER AUTHORIZATION	
COMPANY NAME:	
NAME (PRINT):	TITLE:
SIGNATURE:	DATE:

THIS DRAWING IS PROVIDED ON A CONFIDENTIAL BASIS SUBJECT TO RETURN ON DEMAND OF OSHKOSH SPECIALTY VEHICLES ("OSHKOSH"), WHICH RETAINS ANY AND ALL RIGHTS ASSOCIATED WITH IT AND THE ARTICLE OR ARTICLES IT REPRESENTS. DISCLOSURE, REPRODUCTION OR ALTERATION OF ANY PART OF THIS DRAWING; OR MANUFACTURE, USE OR SALE OF THE ARTICLE OR ARTICLES REPRESENTED, IS PROHIBITED WITHOUT THE PRIOR WRITTEN AUTHORIZATION OF OSHKOSH. © OSHKOSH SPECIALTY VEHICLES (unpublished).

SHEET NUMBER: 1 OF 1	REFERENCE DRAWING:	TITLE: GRAPHICS LAYOUT PHILIPS INTERA JAPAN MRI 2.55M x 4M x 13.6M REAR STEER TRAILER	DATE: 21 JAN 08	SCALE: 1/2"=1'-0"
JOB#	<b>OSHKOSH SPECIALTY VEHICLES</b>		16745 S. LATHROP AVENUE HARVEY, IL, 60426 PHONE: (708) 596-5066 FAX: (708) 596-2480	
			CHECKED BY: 	